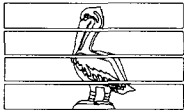
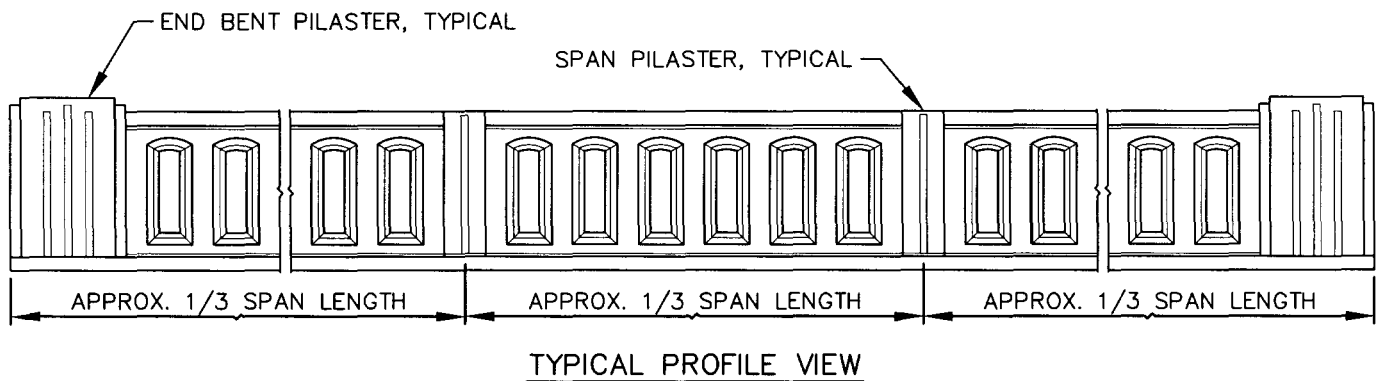
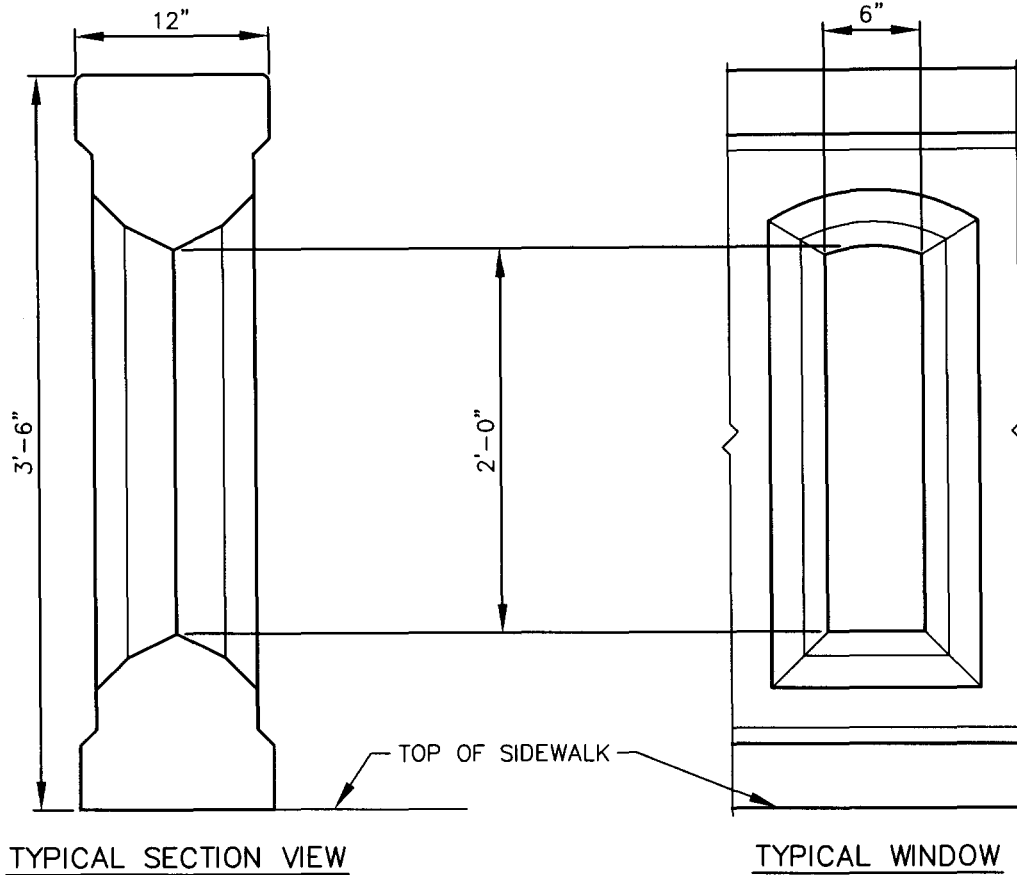


DRAWING NUMBER	DRAWING TITLE	REVISION DATE
S70-21	TYPE A WINDOW BRIDGE RAILING	NEW
S70-22	TYPE B WINDOW BRIDGE RAILING	NEW
S70-23	TYPE C WINDOW BRIDGE RAILING	NEW
S70-24	TYPE D WINDOW BRIDGE RAILING	NEW

CITY STANDARDS

REVISIONS		 ENGINEERING DEPARTMENT CITY of ST. PETERSBURG	BRIDGE DETAILS INDEX		
BY	DATE				APPROVED BY:
			N/A		DWG. No.
			DIRECTOR		S70-INDEX
			SCALE: N.T.S.		



CITY STANDARDS

REVISIONS	
BY	DATE

ENGINEERING DEPARTMENT
CITY of ST. PETERSBURG

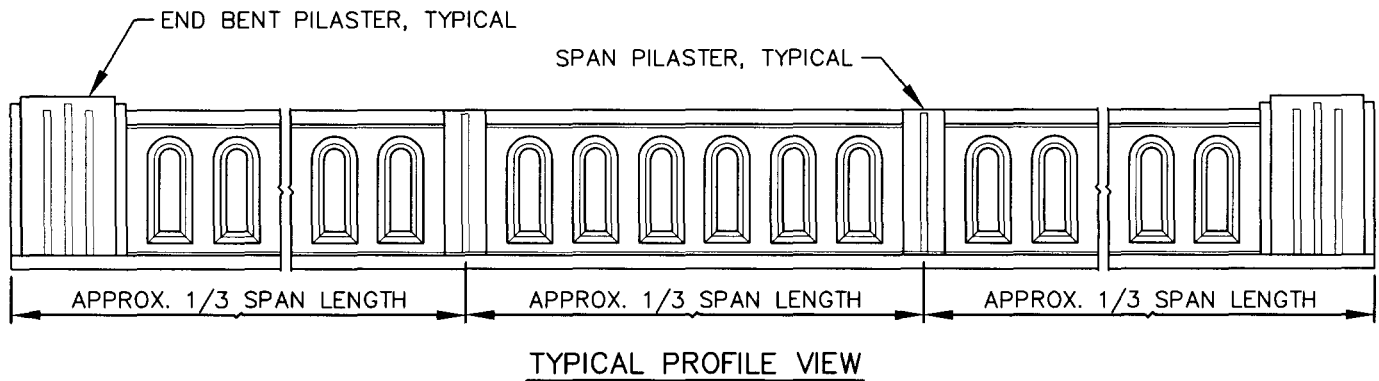
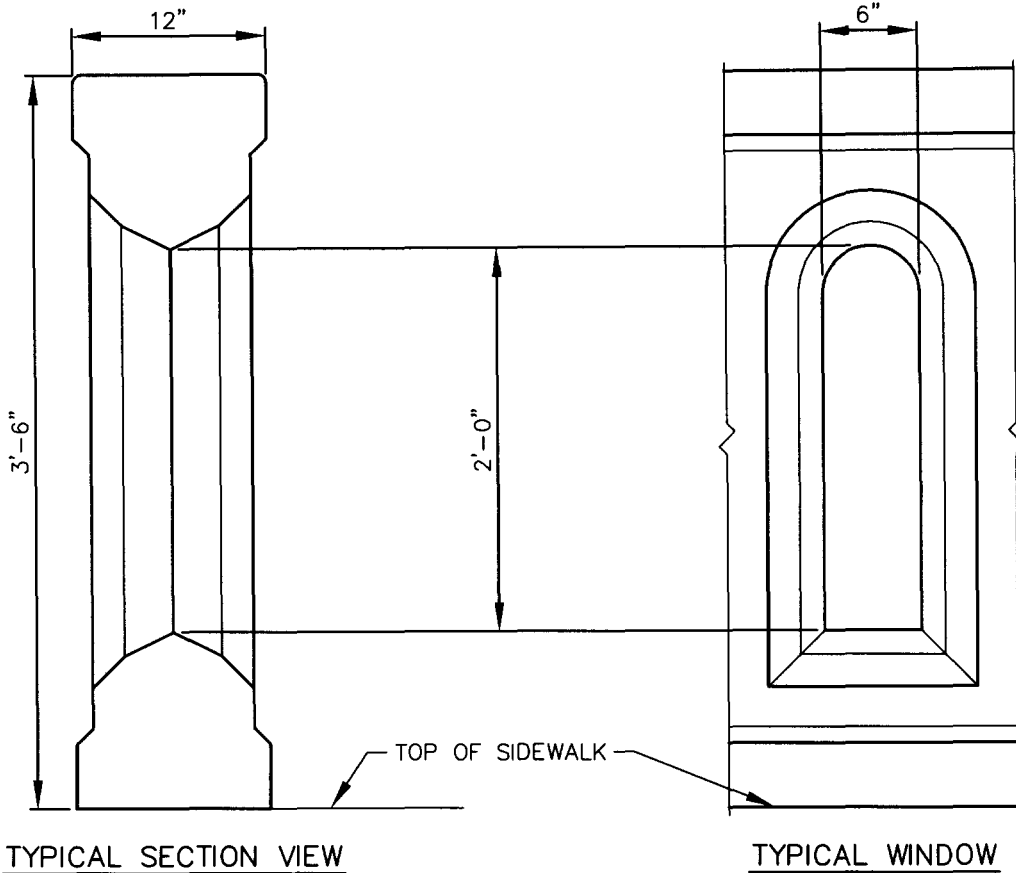
SCALE: N.T.S.

TYPE A WINDOW
BRIDGE RAILING DETAIL

APPROVED BY:
Thomas B. Daley
DIRECTOR

DATE: OCT. 2006

DWG. No. S70-21



CITY STANDARDS

REVISIONS	
BY	DATE

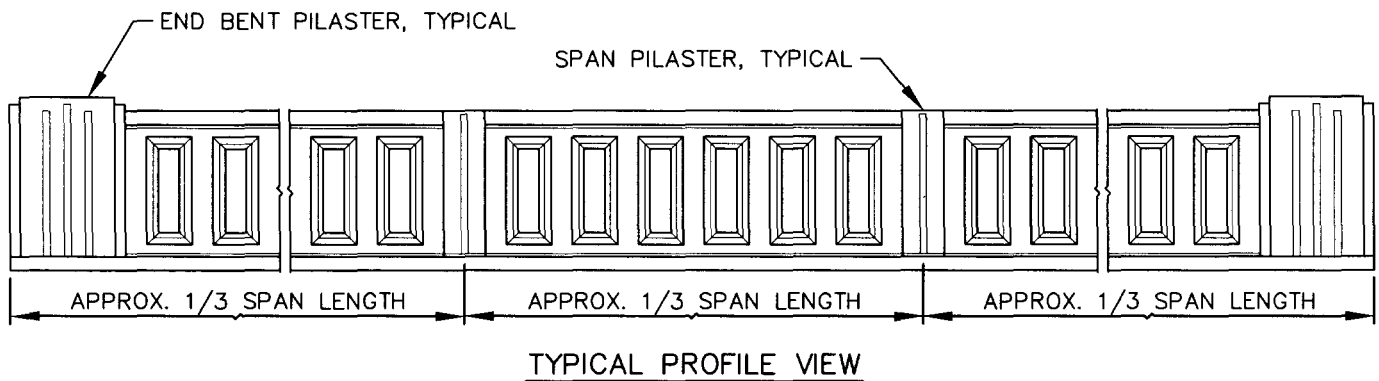
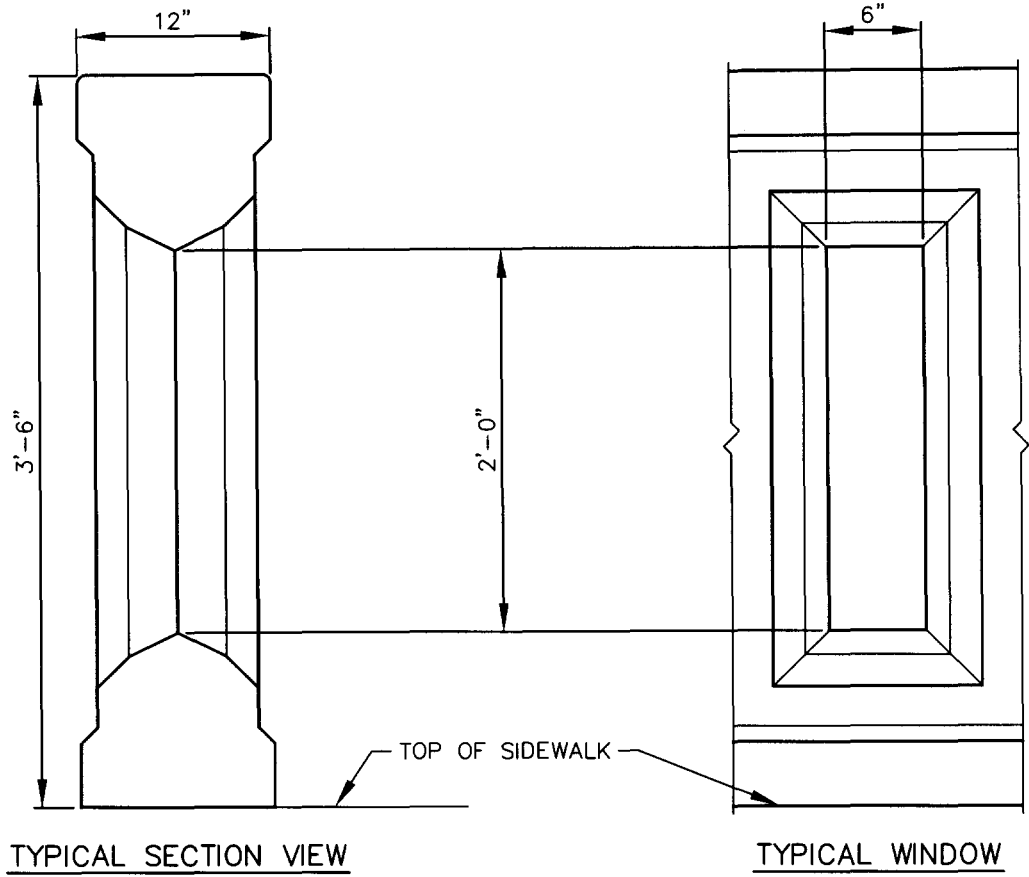
ENGINEERING DEPARTMENT
CITY of ST. PETERSBURG

SCALE: N.T.S.

TYPE B WINDOW
BRIDGE RAILING DETAIL

APPROVED BY:
Thomas B. DeLo
DIRECTOR

DATE: OCT. 2006
DWG. No. S70-22



CITY STANDARDS

REVISIONS	
BY	DATE

ENGINEERING DEPARTMENT
CITY OF ST. PETERSBURG

SCALE: N.T.S.

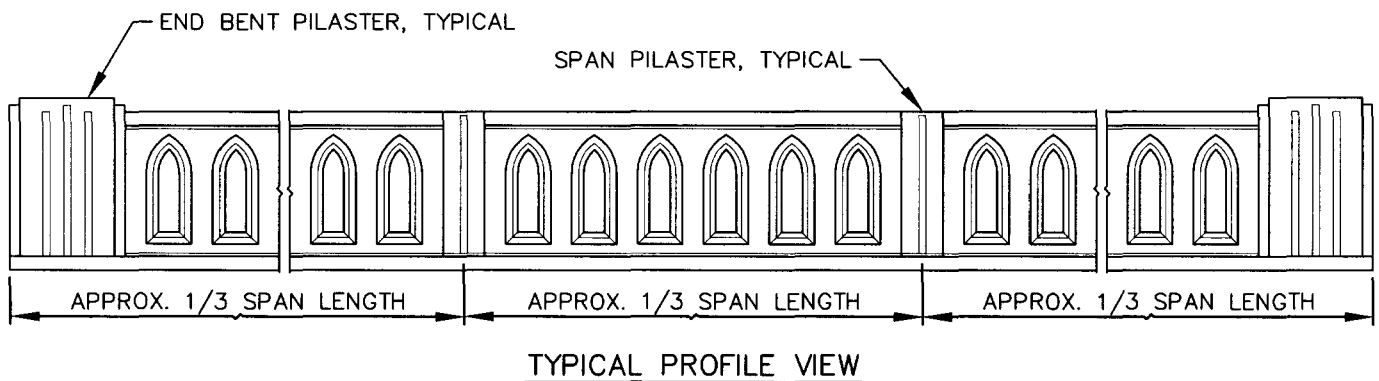
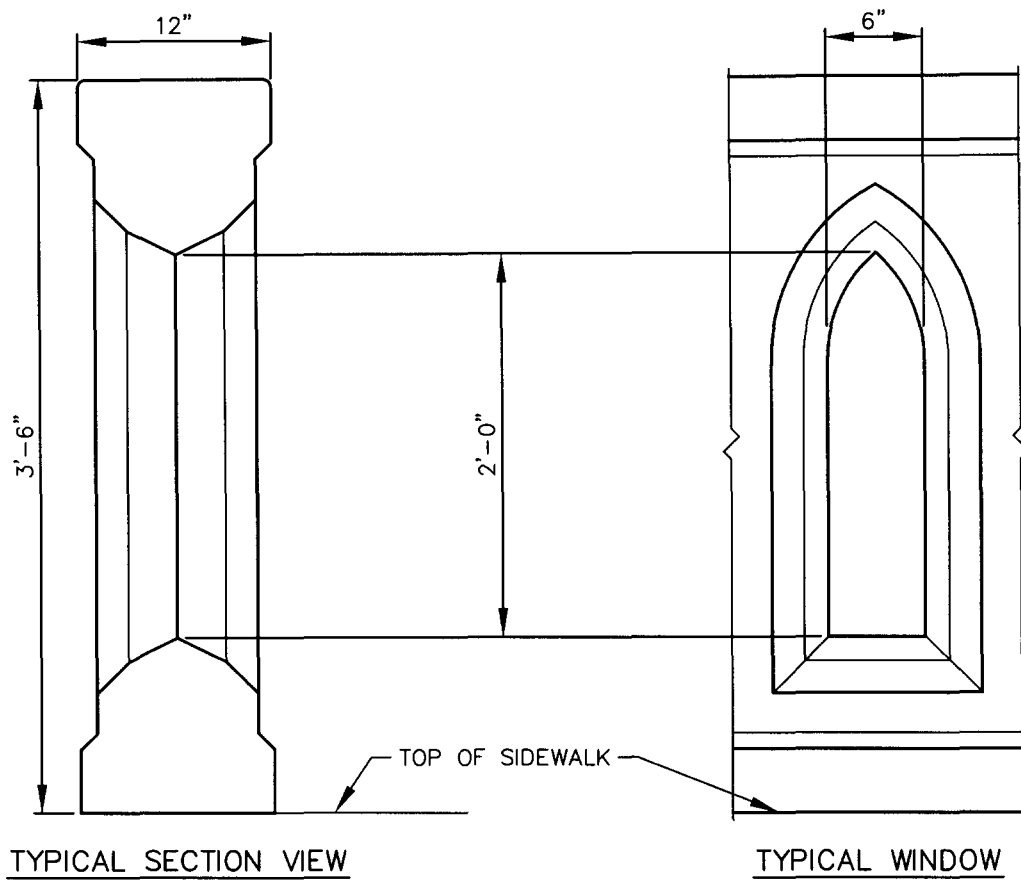
TYPE C WINDOW
BRIDGE RAILING DETAIL

APPROVED BY:

Thomas B. Lulu
DIRECTOR

DATE: OCT. 2006

DWG. No. S70-23



CITY STANDARDS

REVISIONS	
BY	DATE

ENGINEERING DEPARTMENT
CITY of ST. PETERSBURG

SCALE: N.T.S.

TYPE D WINDOW
BRIDGE RAILING DETAIL

APPROVED BY:
Thomas B. Allen
DIRECTOR

DATE: OCT. 2006
DWG. No. S70-24